

## VACUUM CONVEYOR – SERIES C-MC

FOR USE WITH CENTRAL VACUUM  
PUMP / FILTER / CONTROL SYSTEM



- > 304 Stainless Steel Construction
- > Large Area Cartridge Filters
- > 'Pulse-Jet' Filter Purge
- > Effective filtration to sub-micron
- > Integral Hopper Vent Filter
- > Flap Inspection Door
- > Hinged cover for filter access
- > Integral level control
- > Separate 3 phase Vacuum Pump
- > Low Maintenance Requirement
- > Robust Construction
- > HEPA Filter option

### > DESCRIPTION

Comprising strong hopper with nonreturn tangent inlet, robust flap outlet with proximity level switch and optional 'high fill' level sensor.

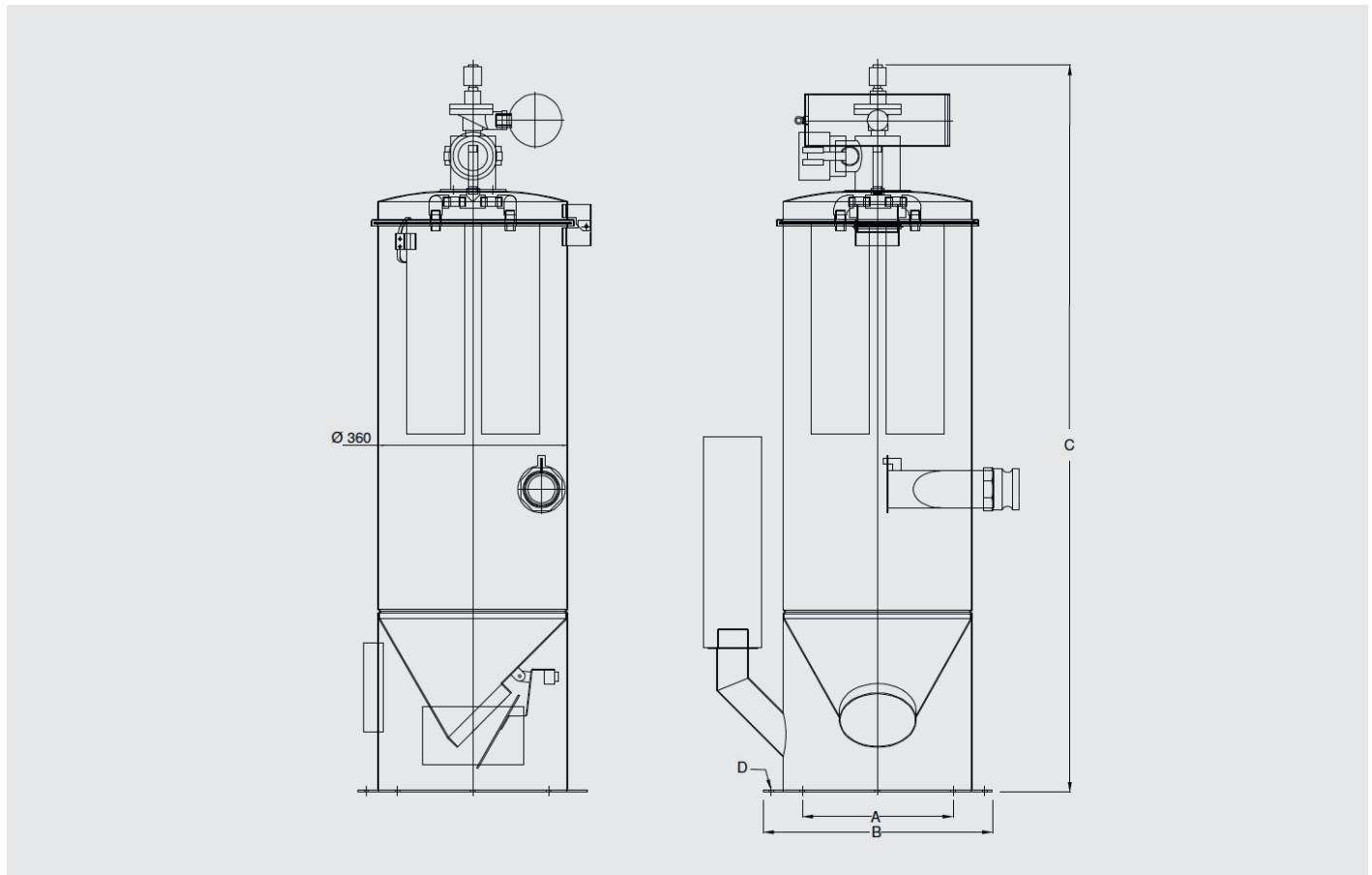
Complete with large capacity filters and hinged top cover which includes an air reservoir, and incorporating pulse-jet compressed air filter purge and pipe connection to remote vacuum pump. Requires a supply of clean dry air at 4 Bar.

### > OPERATION

Used in multi-station central vacuum stations or as a single unit, operation is governed by remote control panel which opens vacuum valve to powerful suction from remote vacuum pump causing material from any remote container to be conveyed into hopper. After a preset time vacuum valve closes, allowing material in the hopper to open the flap and to discharge. When free of material, the flap closes and initiates a repeat convey/ discharge and filter/ purge sequence.

! There is a wide range of Jenco Hopper Loaders suitable for smaller or higher throughputs. Please contact our Sales Office for details of our complete range. Jenco also offers a wide range of Gravimetric Blenders, Single and Twin Desiccant Cartridge Dehumidifying Dryers, Crystallisers, Drying Hoppers up to 10,000 litres capacity and Complete central Systems.

## TECHNICAL DATA



MODEL	MAXIMUM THROUGHPUT KG/HR	FILTER AREA (m <sup>2</sup> )	MOTOR POWER (Kw) up to	VOL. (Litres)	WEIGHT (Kg)	INLET (mm)
C28-12MC	400	3	2.2	12	30	38/50
C36-30MC	1000	4	5.5	30	50	50/76
C46-75MC	2000	6	11	75	80	76/100

Larger capacity units built to order - Please consult Jenco HQ for details

\* Please note: For powder conveying please refer to Jenco sales office for capacities

### Hopper Dimensions

MODEL	(A) MOUNTING HOLE $\varnothing$ mm	(B) FLANGE SIZE $\varnothing$ mm	(C) HEIGHT mm	(D) FIXING HOLES $\varnothing$ mm
C28-12MC	230	274	1100	6 - $\varnothing 9$ on 256 PCD
C36-30MC	357	435	1380	8 - $\varnothing 9$ on 405 PCD
C46-75MC	Please consult the Jenco Technical Office for full details			