

## VP SERIES PROPORTIONING VALVE

FOR THE COARSE PROPORTIONING OF  
MATERIALS (EG VIRGIN/REGRIND)



### ➤ DESCRIPTION

Comprising a Stainless Steel and alloy body which incorporates a mounting hole (A) allowing for the valve to be positioned directly on to the inlet of a hopper loader, as shown in the illustration overleaf.

The Proportioning valve is operated by a pneumatic cylinder driving a spool type valve, and requires a supply of clean dry air at 5.5 - 6 Bar to operate.

Optional Quick release couplings can be added to the valve to permit a quick connection to the material convey pipes.

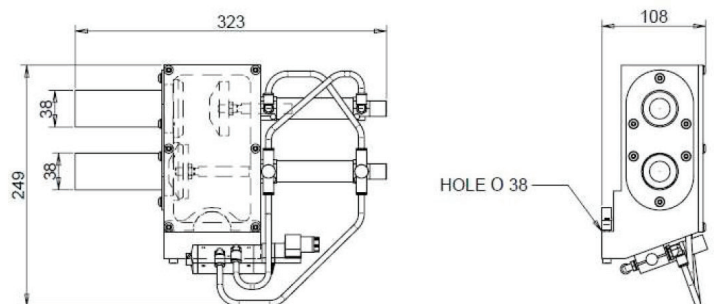
The Proportioning valve can be controlled by the programmable electronic controls integrated with the hopper loader, as shown overleaf.

Allowing entry of precise material percentage and cycle period setting parameters. A separate control panel (shown overleaf) is available as an option if required

### ➤ OPERATION

Wired to the convey cycle of a hopper loader and mounted as shown in the illustration, the VP valve will coarse proportion two materials. The controls can be set to give frequent changes between the two materials to avoid layering in the hopper loader.

- Robust Construction
- All Electronic Control
- Easily Installed
- Can be Retro-Fitted
- Low Maintenance
- Various Control Voltages available

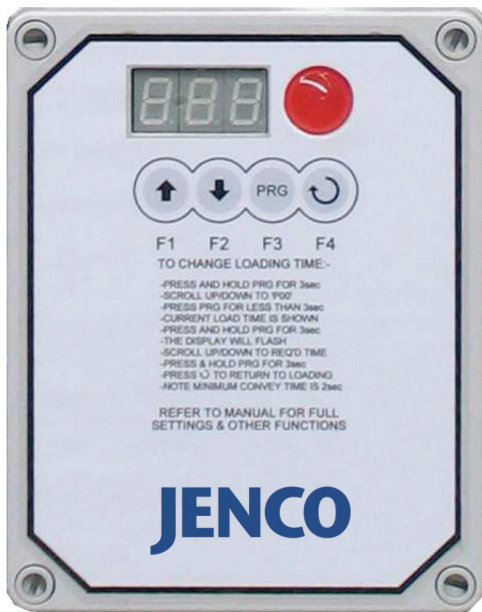


⚠ Jenco also offers a wide range of Hopper Loaders, Gravimetric Blenders, Single and Twin Desiccant Cartridge Dehumidifying Dryers, Crystallisers, Drying Hoppers up to 10,000 litre capacity and Complete Central Systems

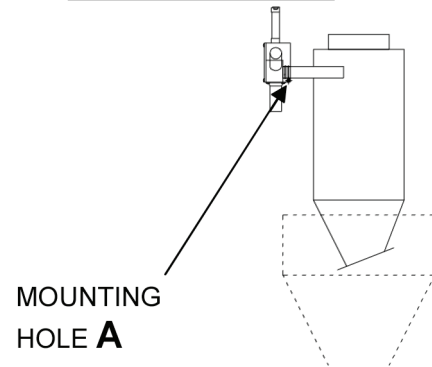
## ➤ INTEGRATED HOPPER CONTROL PANEL

The Proportioning valve can be controlled by the programmable electronic controls integrated with the hopper loader.

Allowing entry of precise material percentage and cycle period setting parameters.



### MOUNTING DETAILS



## ➤ REMOTE CONTROL PANEL

The Proportioning valve can also be controlled with the JENCO PV CON remote electronic controller, comprising

- Low Maintenance
- Percentage and Cycle period setting dials
- Signal lamps and fuse



MODEL	MATERIAL INLET 1 (mm)	MATERIAL INLET 2 (mm)
VP38	38	38
VP40	40	40
VP50	50	50
VP60	60	60

! Jenco also offers a wide range of Hopper Loaders, Gravimetric Blenders, Single and Twin Desiccant Cartridge Dehumidifying Dryers, Crystallisers, Drying Hoppers up to 10,000 litre capacity and Complete Central Systems